



**OUTDOOR ICE MERCHANDISER**

**MODEL 30**



**We're With You Every  
Degree Of The Way**







# OUTDOOR ICE MERCHANDISER

## MODEL 30

### PRODUCT SPECIFICATIONS

#### Standard Model Numbers

Auto Defrost – R404a:	L030UASE
Cold Wall – R404a:	L030UCSE
Auto Defrost – R290:	L030UASP
Cold Wall – R290:	L030UCSP

#### Dimensions & Capacities

7 lb. Bags - Auto Defrost:	80
20 lb. Bags - Auto Defrost:	30
7 lb. Bags - Cold Wall:	80
20 lb. Bags - Cold Wall:	30
Approx. Interior Cubic Feet:	30
Dimensions (W"xD"xH"):	36 x 30 x 76.5
Door Size (W"x H"):	27 x 46

#### Operating Temperature

(X°F - X°F):	16 - 24
Control:	Electronic Control

#### Product Weight

Auto Defrost (lbs.):	305
Cold Wall (lbs.):	280

#### Electrical

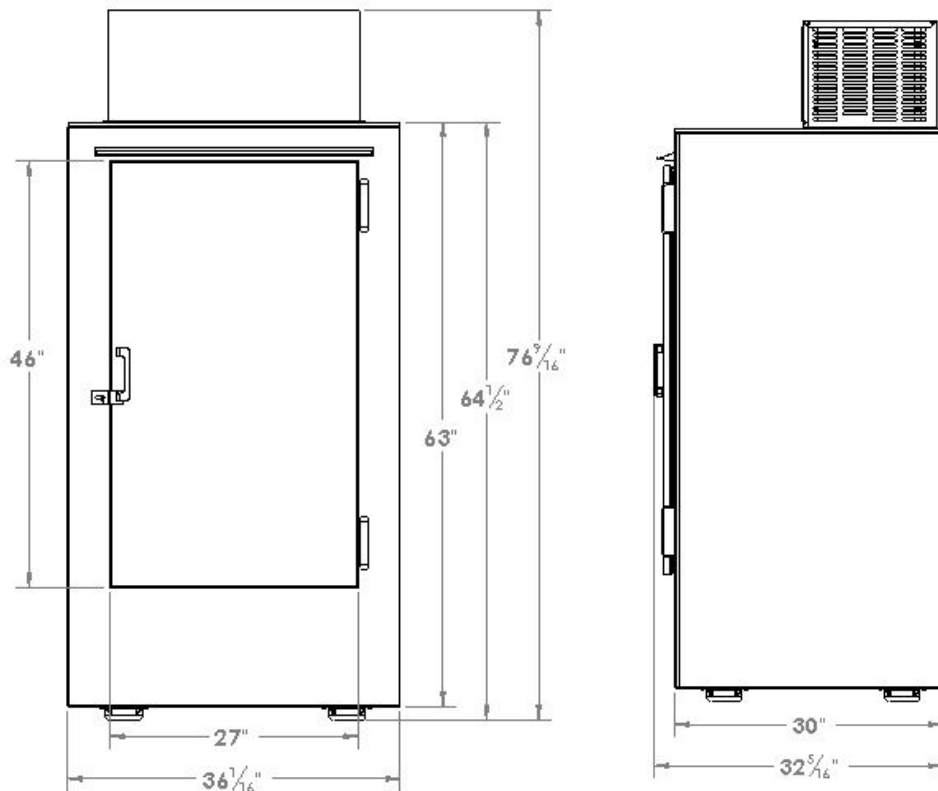
Voltage (V/Hz):	115 / 60
Min. Circuit Required (Amps):	15
Auto Defrost (Amps):	6.3
Cold Wall (Amps):	6.3
230V/50Hz Available:	Upon Request

#### Other

Compressor (HP):	1/3
Refrigerant:	R404a, R290
Certifications:	UL, cUL, CE
DOE Compliant:	Yes
CARB Compliant:	Upon Request
NSF Available:	Upon Request

1. Height Includes Compressor
2. Add 3" to Depth for Condensate Evaporator Pan
3. Add 3" to Depth for Low Profile Raceway
4. Add 3.5" to Depth for Glass Door & Handle
5. Add 3" to Depth for Upright Solid Door & Handle
6. Add 1" to Depth for Slant Solid Door & Handle
7. Merchandiser storage capacities are approximate & may vary due to type of ice, bag size, and methods of loading.

### DIMENSIONAL DRAWINGS



### VIDEO LIBRARY [leerinc.com/video-library](http://leerinc.com/video-library)

